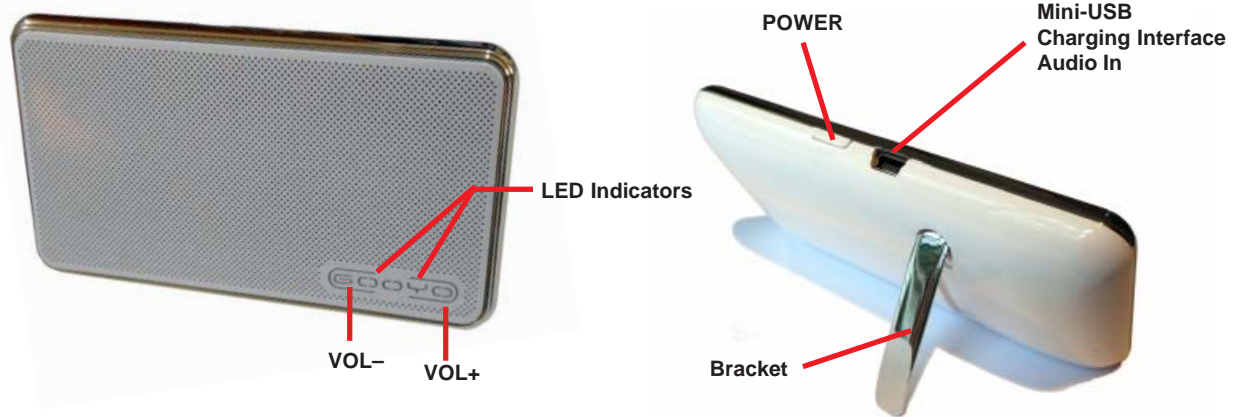


Bluetooth Speaker Instructions

The Nexus-7 has reasonable output volume for **Persona** to be used in routine circumstances. When more sound output is required, the Bluetooth Speaker will help considerably. Sound output volume (Loudness) can be adjusted by the slide control on the Main Screen of **Persona**.



In use, it is suggested that the Bluetooth Speaker be set for maximum output volume and left that way. Use the Loudness slider in **Persona** for adjustments.

Turn on the Bluetooth Speaker and establish a connection with the Nexus-7. Sound output will come from the Bluetooth Speaker instead of the Nexus-7. Details follow.

ATTENTION — Remember to turn off the Bluetooth Speaker AND the Bluetooth setting on the Nexus-7 when amplification is no longer needed.

1. General Maintenance

To protect the Bluetooth Speaker from damage or malfunctioning:

- Do not expose the speaker to high temperatures.
- Avoid severe physical shocks to the speaker (do not drop).
- Do not expose the speaker to excessive moisture.
- Do not use any alcohol, ammonia, benzene or abrasives to clean the speaker. If necessary, wipe it clean with a soft cloth.

Operating environmental temperature:

Temperature: 5° F to 131° F (-15° C to 55° C).

Exceeding the temperature limits may shorten the life-span of the battery.

2. Charging the Bluetooth Speaker

To get the best capacity and longest life-span from the Bluetooth Speaker's internal battery, charge it for at least 4 hours before using it for the first time.

Warning — Charge the Bluetooth Speaker by using only the original USB cable. Using another USB cable may destroy the speaker. Connect the USB cable to the charger supplied and then connect the USB cable to the charging socket of the speaker.

During charging, the LED indicator will remain red. Once the LED light goes out, the charge is complete. Standard charging time is 4 hours. The Bluetooth Speaker can be used during charging. While using the Bluetooth Speaker during charging, the indicator LED light is red.

The LED indicators show the Bluetooth Speaker's working status.

LED Indicator Work Status

Red light Charging status while the Power is off

Pink light Charging status while the Power is on

Blue flashing Unpaired while the Power is on

Blue light Paired while the Power is on

Red Blue flashing .. In pairing status while the Power is on

3. Connecting (Pairing) the Nexus-7 With the Bluetooth Speaker

Before connecting the Bluetooth Speaker with the Nexus-7, the devices must be “paired”—a unique encrypted link must be established between the Nexus-7 and the Bluetooth Speaker.

Confirm that the Bluetooth Speaker is charged.

Press the Power button for at least 5 seconds. While the red and blue LEDs are flashing, a long beep sound will be heard. That means the Bluetooth Speaker is in connectivity status.

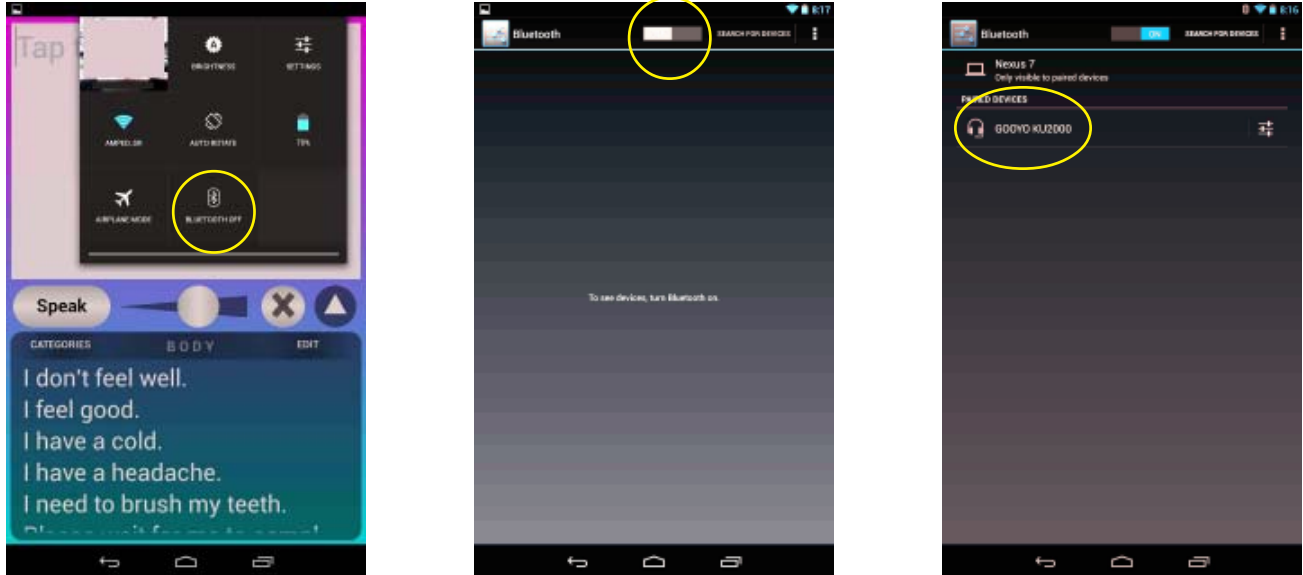


REMEMBER TO TURN OFF THE BLUETOOTH SPEAKER WHEN FINISHED USING IT!

From almost any screen on the Nexus-7, swipe down from the upper right corner and select Bluetooth.

Tap to turn on Bluetooth. The display will show a list of paired devices.

Select **“GOOYO KU2000”**. The display will show Connected when the devices are paired.



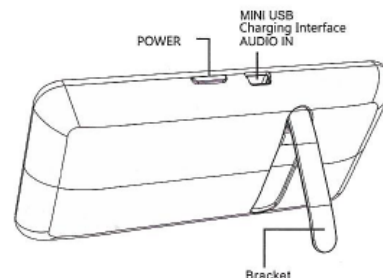
- ① As shown above, connectivity (pairing) is accomplished by these simple steps. For more details, refer to the Nexus-7 Guidebook.
- ② In Settings, select Bluetooth. Tap the slider to turn on Bluetooth. Select SEARCH FOR DEVICES if none are shown. After searching a few seconds, your phone will display **“GOOYO KU2000”** has been found.
- ③ Confirm the Connectivity by choosing **“GOOYO KU2000”** and entering the password **“0000”**.

The Bluetooth Speaker will emit a long beep, confirming that it is successfully connected to the Nexus-7.

5. Connecting the Bluetooth Speaker to the Nexus-7

If the Bluetooth Speaker is not powered on, press the Power button until the LED of the Bluetooth Speaker turns on. A musical tone will sound confirming that the Bluetooth Speaker is turned on. Once it is turned on, the Bluetooth Speaker will automatically reconnect to the Nexus-7.

If you turn on the Nexus-7 or its Bluetooth function after turning on the Bluetooth Speaker, you can connect the Bluetooth Speaker from the Bluetooth menu of the Nexus-7.



6. Speaker operation

To control the Bluetooth Speaker, you can tap or tap-and-hold the Power button.

Operation of the Power and Volume buttons are as follows:

Turn on Press **Power** at least **2 seconds**

Turn off Press **Power** at least **2 seconds**

Adjust the volume Press **Vol+** or **Vol-** at least **4 seconds**

Connectivity status Press **Power** at least **5 seconds**

7. Using the Bluetooth Speaker Out of its Pouch


For convenience, or to help in putting the output sound closer to listeners, especially in a noisy environment, the Bluetooth Speaker can be removed from its pouch.

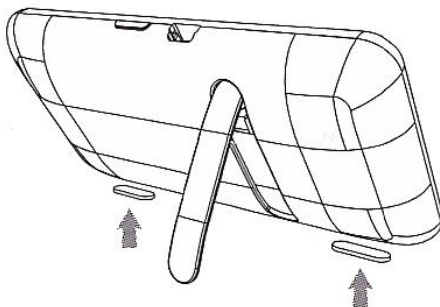
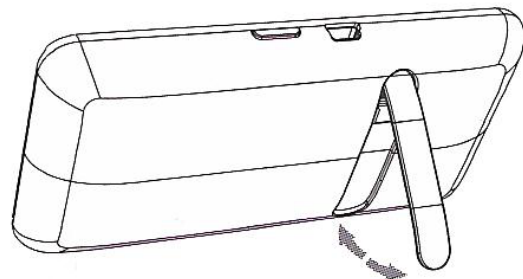
If necessary, the pouch can be removed from the PolyAndro case so it can continue to protect the Bluetooth Speaker. The pouch is secured to the case with Velcro. Use extreme care in separating the pouch from the case so as not to tear the Velcro off either the pouch or the case.

8. Bluetooth Speaker Bracket

When removed from its pouch, the Bluetooth Speaker can be supported by its folding bracket so as to be able to direct the sound as needed.

The bracket is made of a metal alloy designed to support the Bluetooth Speaker. The bracket can be opened easily by gently flipping it as shown in the following drawings.

 **Caution** — The bracket has a limited opening angle—do not exceed the angle limit or the bracket will be damaged.



When using the bracket, the Bluetooth Speaker may wobble, even on a smooth surface. Non-slip pads can be put on the bottom edge of the Bluetooth Speaker to increase friction for additional stability.



Replace the Bluetooth Speaker into its pouch with the speaker grill up and the Power button visible through the side of the pouch.

9. FAQ (Frequently Asked Questions)

❶ The Bluetooth Speaker cannot be turned on.

The internal battery is low.

Charge the Bluetooth Speaker.

❷ Unable to connect to the Nexus 7.

The Bluetooth function has been suspended.

Enable the Bluetooth function on the Nexus 7. Turn on the Bluetooth Speaker after enabling the Bluetooth function.

❸ There is no sound from the Nexus 7.

The Bluetooth Speaker may be connected to another Bluetooth device.

Disconnect them or move out of range of the other Bluetooth device.

The Persona Loudness slider is at minimum.

Move the Loudness slider to the right.

10. Main Technical Specifications

- Standard charging time: 4 hours
- Playing time: Up to 6 hours
- Battery: Rechargeable lithium-polymer (800m AH)
- Bluetooth: 2.1 + EDR Version, supports Bluetooth stereo version (A2DP-Advanced Audio transmission modes, AVRCP-Audio video remote control mode)
- Digital echo and noise reduction
- Noise isolation and slow rebound foam
- Operating range: Up to 30 feet (10 meters)

11. Removal of the internal battery

Remove and recycle the battery before discarding the Bluetooth Speaker.

 **Warning** — Removing the battery will destroy the speaker.

Disconnect the power adapter from the speaker before removing the battery.

- ① Remove the speaker's mesh
- ② Remove the screws on the speaker chamber
- ③ Take off the speaker circuit board
- ④ Disconnect the battery cable
- ⑤ Remove the battery

